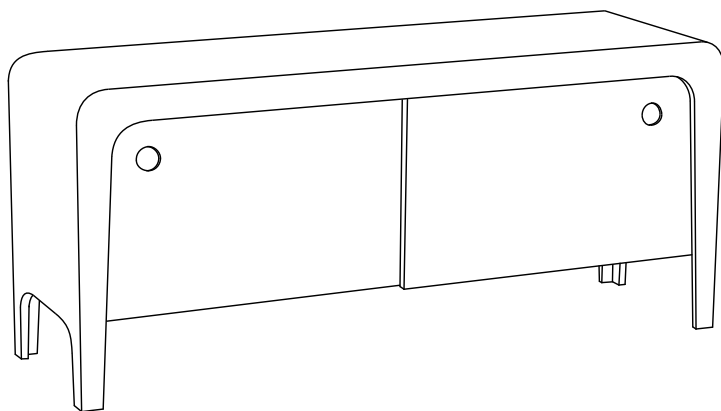
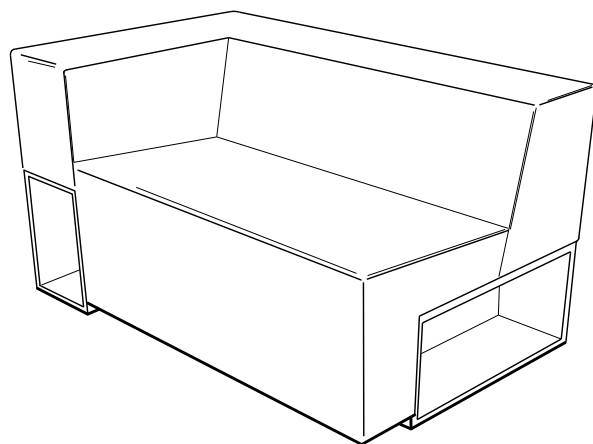


MADE

Furniture 2012



608 Design

is the Toronto design company founded by Evan Bare.

Evan creates multifunctional furniture using sustainable construction methods. Clean and contemporary lines of tables and seating are his focus. Integrated storage and replaceable components are key elements.

Having trained as an industrial designer at Humber College, his experimentation with composite materials led to new ways of unlocking their potential as a primary design feature.

His manufacturing experience has led to the design and development of seating for the residential and contract furniture markets. His inspiration is derived from geometric simplicity and environmental concerns.

1. Cubert Love Seat

Materials: FSC Certified Plywood, Soy based foam, 4" medium firm seat & 4" medium density back.

Dimensions: 52.75" x 33" x 28" High

Details: Choice of OSB, FSC Ply or Reconstituted Veneer Arm Boxes. Choice of Recycled Polyester, Pure Wool or Customers Own Material.

Also Available: Love Seat w/ No Side Box, Armless Love Seat, Corner Seat. Ask for Details.

2. Annex Chair (wingback shown)

Materials: FSC Certified Hardwood & Ply Frame

Dimensions: 27" w x 31" d x 41.5" h

Details: Choice of wood leg, Choice of Recycled Polyester, Pure Wool or Customers Own Material.

Also Available: Annex Club Chair

3.&4. Cubert Chair

Materials: FSC Certified Plywood or OSB, Soy Based Foam, Sinuous Spring Suspension

Dimensions: 34.5" x 32" x 32.25" seat depth: 19"

Details: As cubert Love, Optional Concealed Underseat Storage



1.



2.



3.



4. ..

AHDI

Agostinis Harrison-Off Design Institute Is Mathew Agostinis and Joel Harrison-Off.

Both trained as furniture designer/makers, while Harrison-Off also contributes his skill as a licensed arborist.

Their work is playful and often irreverent.

1.



1.&2. Lift Table & Detail

Materials: Wood

Dimensions: Custom to Order

Details: Optional concealed drawer or lift top.. Choice of wood.

3. Log Bench

Materials: Carved Solid Log with Lacquered Steel Base

Dimensions: seat height: 17", all other dimensions dependant on log

Details: Custom to Order

4. Cedar Stumps

Materials: Solid Cedar Stumps with Painted & Lacquered Tops

Dimensions: variable

Details: enquire on available sizes & colours

2.



4.



3.



Brothers Dressler

Lars and Jason Dressler address their design work with an awareness and a respect for materials, efficiency of process, consciousness of the human body and how it relates to furniture. They maintain a respect for the limited resources around us and build towards creating works emphasizing craftsmanship with a less damaging presence. The interaction of nature with the industrial world inspires the shape and construction of pieces.

The twins have a shared background in mechanical and chemical engineering, furniture design and building, cabinet making and a vast array of material manipulating skills.

Working mostly in wood, they also experiment with and use found and new materials in their designs. They have worked with various metals, construction materials, concrete, plastic and glass.

Their focus is custom furniture, also working at batch production, fully realized interiors and small residential structures.

The brothers are constantly investigating and experimenting with materials that come from local and responsible sources as they energetically re-use and re-purpose as much as possible.

1+2 Onedge Lounge05

Materials: birch plywood, stainless steel nuts, water-based lacquer finish
Dimensions: 39" tall 24" wide 33" deep (chair) 16" tall 24" wide 19" deep (ottoman)

Details: available with or without arms, ottoman also available. Choose from a variety of stains and solid colours.

3. Onedge Rocker

Materials: birch plywood, stainless steel, water-based lacquer finish
Dimensions: 42" tall 21" wide 32" deep

Details: available with or without arms and in a variety of stains and solid colours.



Brothers Dressler

4. Cube Modular Shelf System

Materials: slab shelves and storage boxes, choice of materials

Dimensions: variable, please inquire

Features: This shelving system can be configured as required to suit any space. Wall mounted or free-standing versions are possible. Reclaimed or new materials options are available.



5-10. Bare Modular Sofa

Materials: FSC approved hardwoods, recycled content or wool upholstery with latex foam

Dimensions: available in 24" x 24" x 18" or 28" x 28" x 18" base components. back adds 8" to depth, arm adds 6" to sides

Features: Built from modular components, Bare can be scaled for any space. Choice of domestic hardwood for frame, many upholstery options. under seat shelf option, matching table available.



Brothers Dressler (continued)

11. Bottle Lights

Materials: Reclaimed Wine Bottles, Walnut Collars, Electrical Components

Dimensions: variable, please inquire

Features: Lighting can be configured as single lights, clusters or linear configurations. Please ask for details.

12. Vintage Pop Bottle Lights (limited quantities)

Materials: Reclaimed vintage pop bottles, Walnut collars, electrical components.

Dimensions: Variable

Features: Lighting can be configured as single lights, clusters or linear configurations. Please ask for details. Limited Item.

13. Slab Table

Materials: solid and solid slab walnut. Other domestic woods may be available to order.

Dimensions: enquire for availability

Features: Live edge, may be ordered reinforced as a bench.

14&15 Merge Table

Materials: walnut, glass, hemp oil finish

Dimensions: 15't 30'w 30'd (2 pieces)

Features: two-piece interactive coffee table. More than one merge table can be combined to create a new set of configurations.

Available in other solid woods.



11.



12.



13.



14.



15.

Connie Chisholm Studio

Maintains a studio in Toronto, Ontario designing and making furniture pieces and custom millwork.

Her pieces are characterized by simplicity and minimalist form combined with strong sculptural elements and technical explorations.

Connie holds a Bachelor of Science in Biology. Her interest in design led her to study furniture at Sheridan College where she has also been a studio instructor.

Working primarily with domestic woods, veneers and plastic laminates she occasionally includes fabricated or cast metal components. Connie has considerable experience in form making and creating and working with curved laminations.



1.



2.



3.



4.

1. Radius Credenza

Materials: Walnut Veneer with Painted Face & Interior
Dimensions: 60"L x 18"D x 29"H
Details: Easily customized by size, veneer and finish

2. Radius Dresser

Materials: Shown with Painted Birch Veneer Body and Solid White Oak Drawer Faces
Dimensions: 48"L x 19"D x 36"H
Details: Easily customized by size, veneer and finish

3. Radius Bench/Table

Materials: Walnut Veneer with Painted Surface
Dimensions: 54"L x 20.5"D x 17.5"H
Details: Easily customized by size, veneer and finish

4. Shadow Box

Materials: Walnut Veneer with LED backlit objects behind glass
Dimensions: 32"L x 32"H x 12"D
Details: Easily customized by size, veneer and objects

Connie Chisholm Studio

1.-4 Tamitik Seating Series

Materials: Walnut Veneer with Painted Ply Frame, Upholstery (optional)

Dimensions: chair(1&2): 17"Wx 22"Dx 35"H

lounge chair: 23"Wx 26.5"Dx 29.75"H

counter stool: 15"Wx 19"Dx 38"H

Details: custom veneer and finish colour available, upholstery to specification; enquire about other options

1.



3.



2.



4.



Heidi Earnshaw

Heidi Earnshaw is a designer and maker producing both interior and exterior furniture, architectural installations and related objects.

Often working in collaboration, her wood projects may incorporate steel, stone, glass and plastics.



1. Harvest Table

Materials: Solid Oak (shown)

Dimensions: 87"x33.5"x30"h

Details: Shown in natural white oak. Other domestic hardwoods and finishes available. Custom sizes available

2,3&4. Empire Drawer Cabinet & Details

Materials: Solid White Oak with Solid Birch Drawers

Dimensions: 72"x20"dx42"H

Details: Shown with Iron & Vinegar Finish. Other domestic hardwoods and finishes available. Custom sizes available.

1. Prairie Console

Materials: Solid Walnut Drawers with Laquered Body and Steel Base

Dimensions: 90"l x 20"d x 22"h

Details: Shown in white with walnut. Other domestic hardwoods and finishes available. Custom sizes available

1.

2.



3.



4.



5.



FELT Studio (Kathryn Walter)

Kathryn Walter has worked with a range of material and forms of presentation that intersect visual art, design and material culture. In 2000 she founded FELT, a company committed to working with industrial felt in a range of ways through commissions, exhibitions, historical research and a product line.

1.& 3. Spool Stools

Materials: Industrial Felt, Foam

Dimensions: 20"-21" dia., heights variable between 13"-19"

Details: Felt colours will differ naturally. Spool stools are firm enough to be used as side tables or ottomen.

Please enquire about custom possibilities.

2. FELT Bowls

Materials: Industrial Felt Strips

Dimensions: variable based on 3 & 5 yard strips

Details: Felt colours will differ naturally.



1.



3.



2.

Greg Ball and Shoko Cesar

Greg Ball and Shoko Cesar are partners on many Art and design projects and co-founders of The Industrial Designers of Edmonton Association-IDEA. Both trained as Artist's first, and are now practicing Industrial Designers in Edmonton's thriving design community. Cesar and Ball both studied Fine Arts and Industrial Design at the University of Alberta.

Ball applies his local knowledge of the prairies, and training in Industrial Design and the Social Sciences to the design process.

Shoko's model is the environment natural complexity for displaying simple solutions and simple functions.

The Pair were awarded a Best of Canada design award for their Hoodoo light in 2006. **1.**



1. Hoodoo Light

Materials: Coroplast, Electrical Components

Dimensions: 4'High x

Details:

2. Hoodoo Coatrack

Materials: Powdercoated, Laser Cut Steel

Dimensions: 27"wide x 5"high x 2"deep

Details:

2.



Yvonne Ip

Yvonne Ip began her studio in 2001 after graduating from Architecture School at UBC. Her degrees in Sociology, Sculpture and Architecture have led her toward impartial research, object making and structural logic. She explores materials which have a potential for a broad number of applications. Her process unfolds as an understanding of the nature of material and directing it toward objectification.

Ip is now based in Kitchener, Ontario.



1.

1&2. Knot (Seating Object)- Overhand version pictured

Materials: Industrial Felt Strip

Dimensions: variable (approx. 8'x30"x18"H)

Details: Other knot styles available, colour felt cord versions also available

3&4. Bind

Materials: Industrial Felt, Rope

Dimensions: approx. 24"dia.x15"H

Details: colours available to order



2.



3.



4.

Dieter Janssen

Is a Toronto based architect.

Much of Janssens explorative work displays a subtle wit and thoughtfulness. His playful objects, toys and products are designed with as much consideration and attention to detail as his larger furniture, interior and building projects.

Having attended the school of Architecture at Princeton University, Janssen spent a number of years honing his skills in New York before returning to Toronto where he continues his private practice and teaches at the University of Toronto.

1 & 2. CPH Table

Materials: Tubular steel base with epoxy finish and fir plywood top

Dimensions: 5' x 6' x 30"

Details: Other surfaces and base finishes available

3. Bird Tents

Materials: Camouflage fabric, and aluminum rod with plastic insert.

Dimensions: approx. 9" tall x 5" wide x 4" deep

Details: Variety of fabrics available.



1.



2.



3.

Ryan Legassicke

Toronto based Ryan Legassicke continues to make work both as an artist and designer. His ideas based pieces examine everyday materials & processes in relation to the resulting objects & our interaction with them.

Ryan tries to expose and highlight tensions between contrasting components, cycles, and related opposites such as: growth and decay; representation and abstraction; handmade and readymade.

After studying at Sheridan College, he graduated from Alberta College of Art and Design and the State University of New York at Buffalo.



1.&2. Walking Chairs

Materials: Salvaged chair parts, branches or driftwood

Dimensions: approx: 20" x 17.5" x 40"

Details: Every Chair is different. Please enquire about stock

3.&4. Home of the Moment (Desk & Chair)

Materials: Baltic Birch Ply & Clear Acrylic

Dimensions: Desk: 20" x 17.5" x 40" Chair:

Details: Knockdown. Each desk and chair contains one acrylic component.



Loyal Loot Collective

Was formed in 2003 as an Edmonton-Calgary team covering the individual and collaborative design work of a group of Canadian women.

As a collective, Loyal Loot strives to create designs with a natural quality by remaining true to materials. The inherent value of the designs is purposed to increase over a lifetime ensuring they retain a non-disposable presence and remain precious to their owner. Within there is often playful homage to the Canadian frontier.

The name "Loyal Loot" attests to a method of approaching design as well as a way to feel about cherished objects.

Members of Loyal Loot: Anna Thomas, Carmen Douville, Doha Chehib, Dara Huminiski met as friends and graduates of University of Alberta's Industrial Design program.

The group has been represented in 2006 at the Smithsonian Institute, Washington DC, as part of the Alberta Folkways Festival and also at the Salon del Mobile, Milan as part of Wallpaper's "Global Edit". Their work has previously exhibited in New York, London, UK and across Canada.

The designers exhibit their work together and aim to create community in design. They are involved in several creative facets, specializing in furniture, products and textiles.



1.



2.

1. Coat Hang

Materials: baltic birch, plywood and laminated birch veneer.
Dimensions: approx. 7'High x 3.5"W x 12"D

2. Log Bowls

Materials: Turned log cut offs, acrylic stain.
Dimensions: Variable

3. Trophy Mirror

Dimensions: 18"W x 22"H
Details: Available in clear, grey or black mirror

4. You're Next Mirror

Dimensions: sm. 9.5"W x 12"H
lg. 26.75"W x 35"H
Details: Available in clear or grey mirror



3.



4.

MADE

MADE is Shaun Moore and Julie Nicholson. Formed in 2005 to express their own creativity while aiming to bring a higher profile to talented but underexposed Canadian designers. They utilise their combined backgrounds in showroom management, furniture design and manufacture and curatorial experience.

Moore trained as a furniture designer at Sheridan College. Nicholson trained as an artist, majoring in print making at the Queensland College of Art, Brisbane. The pair find inspiration for their work in everyday items and aim to maintain a lighthearted spirit in their collaborative design efforts.



1.

1.&2. Milk Crate Stools

Materials: Commercial Milk Crate, Solid wood legs, upholstered seat.

Dimensions: approx. 13"x13"x18"High

Details: Custom fabric and leg colour upon request.

Crate colours subject to availability.

3. Milk Crate Bench

Materials: Commercial Milk Crate, Solid wood legs, upholstered seat.

Dimensions: approx. 13"x39"x18"High

Details: Custom fabric and leg colour upon request.

Crate colours subject to availability.



2



3.

Massie Office

Brothers Paul and Christopher Massie founded Massie Office in Calgary in 2003 as a studio dedicated to their own furniture and product designs. Recognized for their pursuit of innovation and a synthesis between structure and form, they develop work with new functional and emotional qualities for those who value connection between people and environment.

Paul earned a Bachelor of Design (industrial) at the University of Alberta. Christopher obtained a Bachelor of Fine Arts from the Alberta College of Arts and Design.

The details of packaging and shipping are an integral part of their design process resulting in streamlined assembly and minimal waste.

The founding members of Massie Office are dedicated to thoughtful design and remain committed to producing functional and challenging designs through collaborative effort.

1.



2.



1+2 Flying Vee Shelf

Materials: Powder Coated Steel

Dimensions: 6.5"x6.5"x 9" deep

Features: Available in White, Grey and Teal

Dylan McKinnon

Dylan McKinnon Furniture Design is a Toronto based design practice focused on speculative and commission work.

Drawing on established furniture typologies, forms are refined while adhering to a sensibility that is rational, sincere, and quietly humorous.

1. Edmond Table (Three Leg Version)

Materials: Solid Maple

Dimensions: 16''H x 34''dia

Details: Custom Height & Materials Available

2.&3. Exptending Table

Materials: Birch Ply & Laminate

Dimensions: 28.75''H x 32''W x 59''L (99''open)

Details: Custom Sizes & Colours Available



1.



2.



3.

Shaun Moore

Shaun Moore's furniture designs are characterised by playful yet thoughtful material and colour contrasts and an interest in geometric relationships and exploration of structure. Shaun's designs have used wood, metal, acrylic, glass and mirror.

Shaun is a graduate of the Furniture Design program. He partnered with Julie Nicholson in 2005 to form MADE.



1.

1. Dining Table/ Work Table

Materials: Powder Coated Steel with solid walnut top.
Dimensions: 84"x36" x29"High or 72"x30"x29"
Features: Custom base colours & wood, Custom sizes including boardroom. Casters available for easy mobility.

2. Modular Shelving System

Materials: Powder Coated Structural Steel with Painted MDF and Solid and/or veneer Douglas Fir.
Dimensions shown: approx. 78"W x73"H x22"D
Features: Custom colour steel & MDF, Custom wood to quote. Adjustable shelves, many variations available. Can be built to order width & height.



2.

3 Boss Desk

Materials: Powder Coated Steel base with solid walnut
Dimensions shown: 60"x26"x30"High
Features: Custom colours & sizes available. to order.

3 Bed

Materials: Powder Coated Steel base with solid maple rails. Upholstered head board
Dimensions (Queen base- shown): 84.25"x68.25"x14""H
Features: Custom colours & wood available. to order, headboard fabric to order



3.

4.



Jason Wheeler

Jason Wheeler is based in Oshawa, Ontario.

Drawing on a broad range of skills, Jason produces works in wood, metal and glass. His background in specialty finishes has a significant influence on his work.

1. Side Tables

Materials: Solid and Veneer Walnut, MDF
Dimensions: 17.5" w x 16.5" d x 21.5" h
Details: custom sizes and finishes available.
6 colours to choose

2. Credenza

Materials: Solid and Veneer Walnut, MDF
Dimensions: 18" d x 48" w x 25" h
Details: sliding door: custom sizes and finishes available.
6 colours to choose

3. Matchbox Coffee Table

Materials: Shown in Solid Hickory, Lacquered MDF and Steel
Dimensions: 32" l x 20.5" w x 14.5" h
Details: custom sizes and finishes available.

4. Console Table

Materials: Solid and Veneer Walnut, MDF
Dimensions: 41.5" w x 14.5" d x 30.5" h
Details: custom sizes and finishes available.
6 colours to choose

5. High Cabinet

Materials: Solid and Veneer Walnut, MDF
Dimensions: "d x" w x" h
Details: custom sizes and finishes available. 6 colours to choose

